

spatech™
An ISO 9001:2008 Company



Designed for Comfort

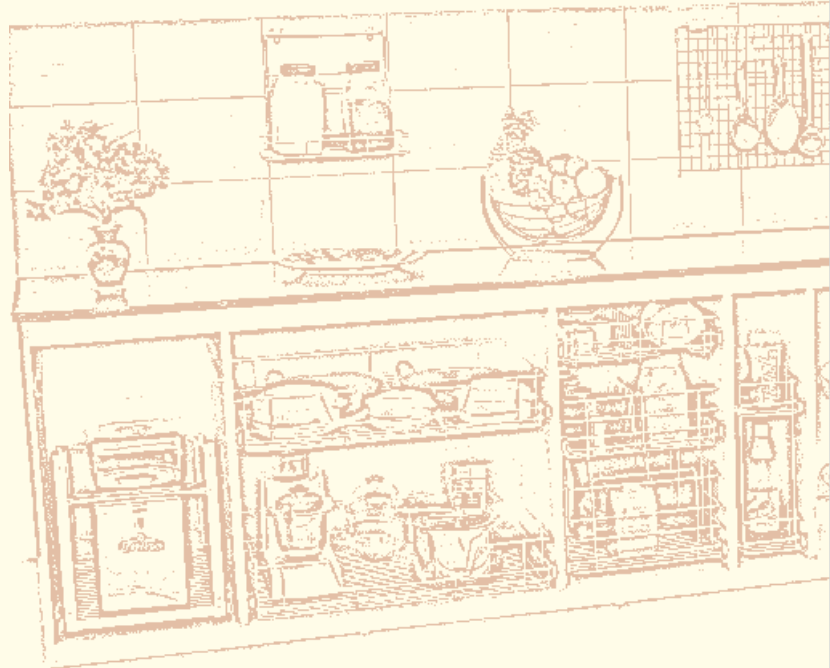
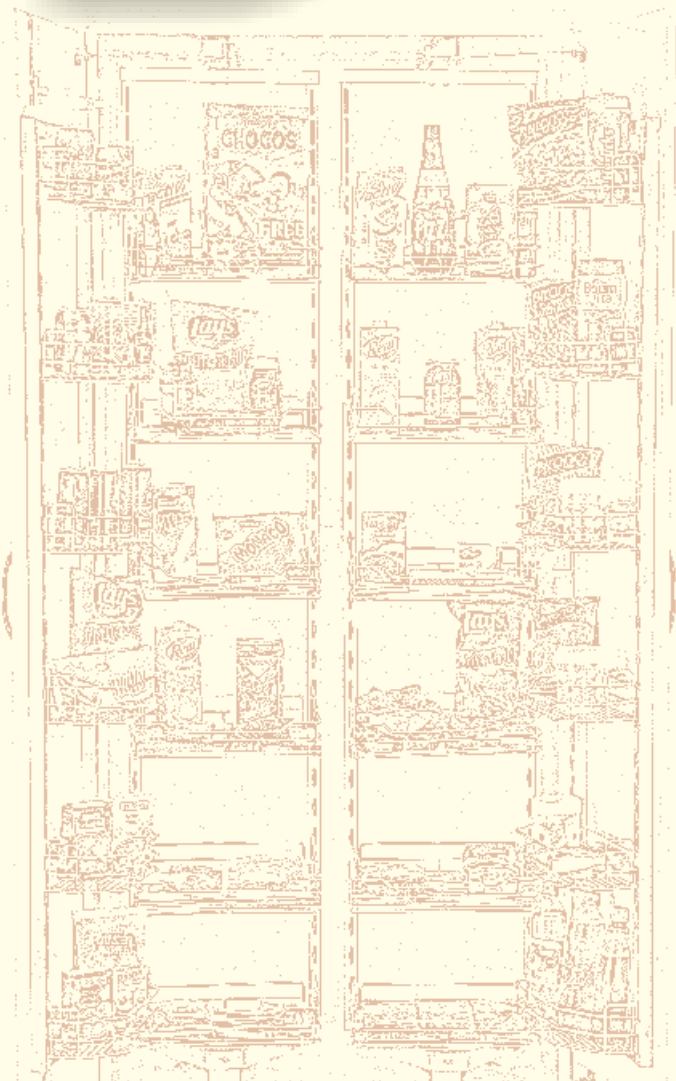
KITCHEN ▷ WARDROBE ▷ BATHROOM ACCESSORIES



The woman of today seeks change. In fact, she demands change. She is meticulous about even the smallest of things and seeks perfection in whatever she lays her hands on. We at Spatech embody this virtue, which truly reflects in the way we design our kitchens.

Our products truly speak what today's woman asks from their kitchen. They are revolutionary in design, made from non-toxic material, using high precision engineering for rust-free and hassle-free long life. The hinges, hardware and channels infuse high precision mechanics for smooth sliding of drawers and doors. All Spatech product accessories, wardrobe accessories, hardware products and other accessories are technically advanced, functionally efficient, user friendly and affordable too.

As you read further, and discover more about us, you will feel more drawn towards us.





Designed for Comfort

Spatech has been in the forefront of innovation, with many years of experience in making revolutionary products, which have changed the way people see kitchens. We are an ISO 9001-2008 Certified Company that lay greater emphasis on quality and design. In fact, our products are no less in quality, compared to the German contemporaries. Thanks to our anxious and ambitious team of expert professionals and engineers, who constantly keep raising the bar with every new product we offer. With the widest range of quality kitchen products to choose from, an efficient and prompt after-sales service and reasonably affordable prices, Spatech is truly the future of kitchens.



PLAIN BASKET



When we say plain baskets, we mean plain convenience. They come in varying sizes, in a range of various customized / pre-determined sizes that help you store your kitchen articles conveniently and utilize the storage space optimally.

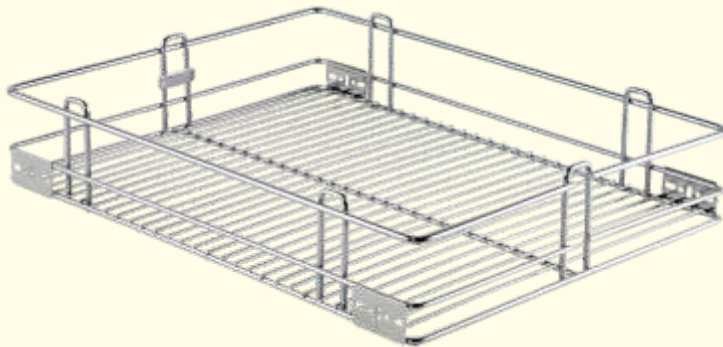
Royal Series
(New Aluminium Range)

Width	Depth	Height
15	20	4 6 8
17	20	4 6 8
19	20	4 6 8
21	20	4 6 8

(Size in Inches)



Classic Series



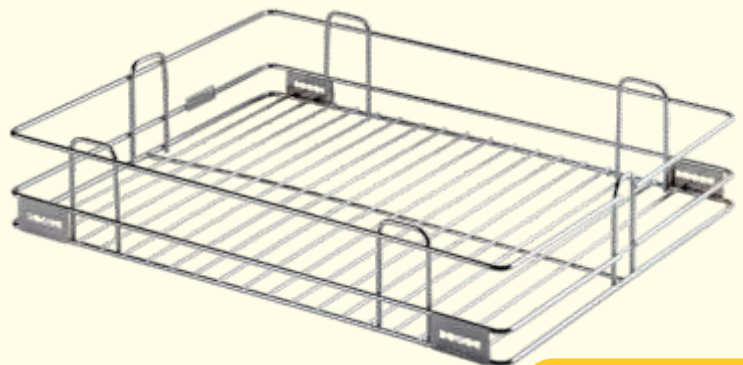
Standard Series

Width	Depth	Height
9	20 22 24	4 6 8
12	20 22 24	4 6 8
15	16 20 22 24	4 6 8
17	20 22 24	4 6 8
19	20 22 24	4 6 8
21	20 22 24	4 6 8

(Size in Inches)

Width	Depth	Height
9	20 22 24	4 6 8
12	20 22 24	4 6 8
15	16 20 22 24	4 6 8
17	20 22 24	4 6 8
19	20 22 24	4 6 8
21	20 22 24	4 6 8

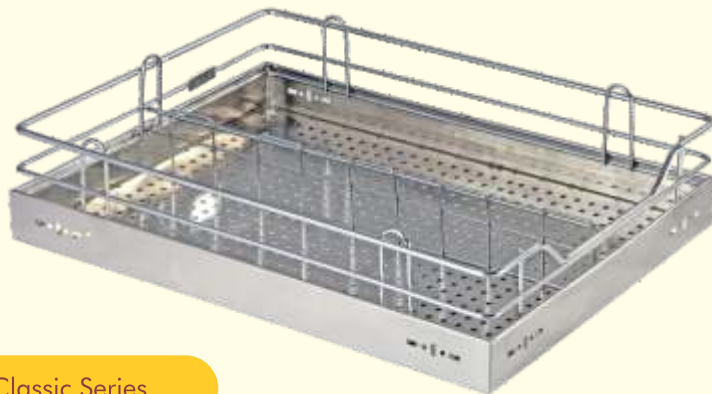
(Size in Inches)



Eco Series

PARTITION BASKET

A combination of being wired and partitions, our partition baskets are highly recommended for every kitchen. They come in different sizes to fill different needs. Ideal for storing jars and kitchen utensils.



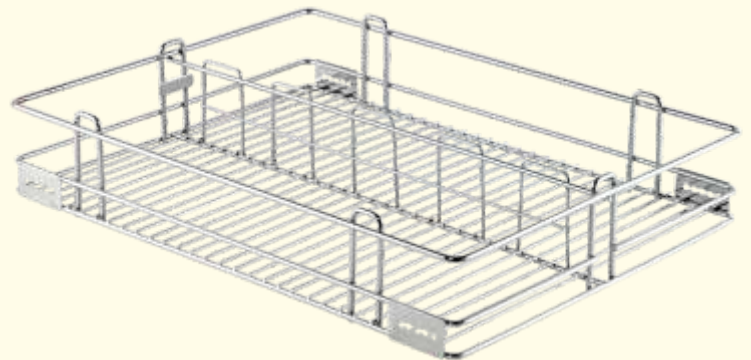
Width	Depth	Height
15	20	4 6 8
17	20	4 6 8
19	20	4 6 8
21	20	4 6 8

(Size in Inches)

Classic Series

Width	Depth	Height
9	20 22 24	4 6 8
12	20 22 24	4 6 8
15	16 20 22 24	4 6 8
17	20 22 24	4 6 8
19	20 22 24	4 6 8
21	20 22 24	4 6 8

(Size in Inches)



Standard Series



Width	Depth	Height
9	20 22 24	4 6 8
12	20 22 24	4 6 8
15	16 20 22 24	4 6 8
17	20 22 24	4 6 8
19	20 22 24	4 6 8
21	20 22 24	4 6 8

(Size in Inches)

Eco Series

CUP & SAUCER BASKET

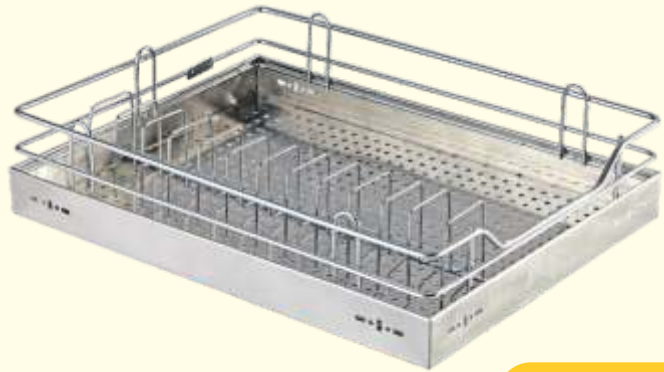


Just like your morning cup of tea, these baskets are essential to your kitchen. They ensure scratch-free storage of cups and saucers for years and facilitate dripping and drying facility too. For convenience, these baskets should be positioned near the sink.

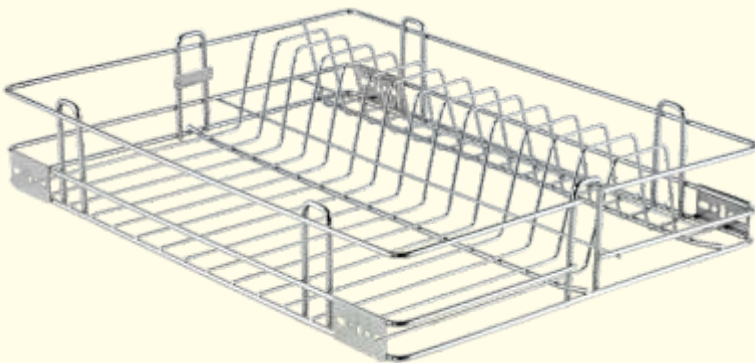
Royal Series (New Aluminium Range)

Width	Depth	Height
15	20	4
17	20	4
19	20	4
21	20	4

(Size in Inches)



Classic Series



Width	Depth	Height
12	20	4
15	16 20 22 24	4
17	20 22 24	4
19	20 22 24	4
21	20 22 24	4

(Size in Inches)

Standard Series

Width	Depth	Height
12	20	4
15	16 20 22 24	4
17	20 22 24	4
19	20 22 24	4
21	20 22 24	4

(Size in Inches)



Eco Series

CUTLERY BASKET

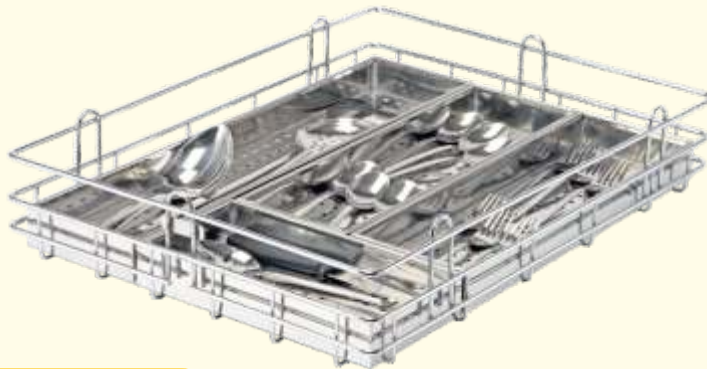
These baskets come in handy for your entire kitchen cutlery needs. They are highly user-friendly and easy to push and pull out. These baskets are normally placed near the cooking area.



Royal Series
(New Aluminium Range)

Width	Depth	Height
15	20	4
17	20	4
19	20	4
21	20	4

(Size in Inches)



Cutlery Box

Width	Depth	Height
12	20	4
15	16 20 22 24	4
17	20 22 24	4
19	20 22 24	4
21	20 22 24	4

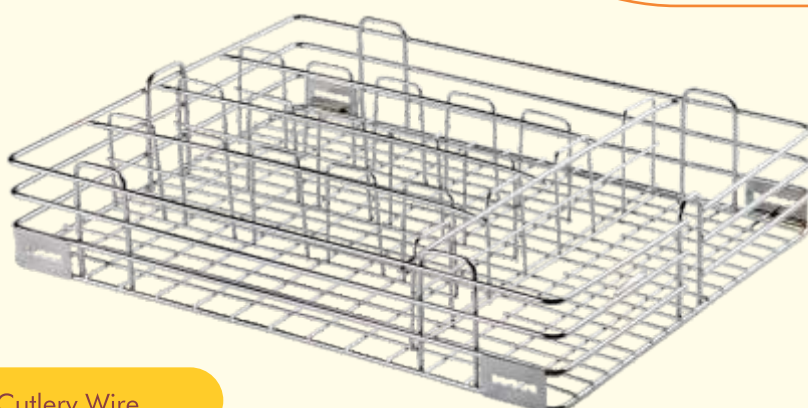
(Size in Inches)



Cutlery Sheet

Width	Depth	Height
12	20	4
15	16 20 22 24	4
17	20 22 24	4
19	20 22 24	4
21	20 22 24	4

(Size in Inches)



Cutlery Wire

PLATE BASKET



These baskets serve in slotting your crockery plates, of varied sizes appropriately with utmost ease. More importantly, they are easy to slide in and out.

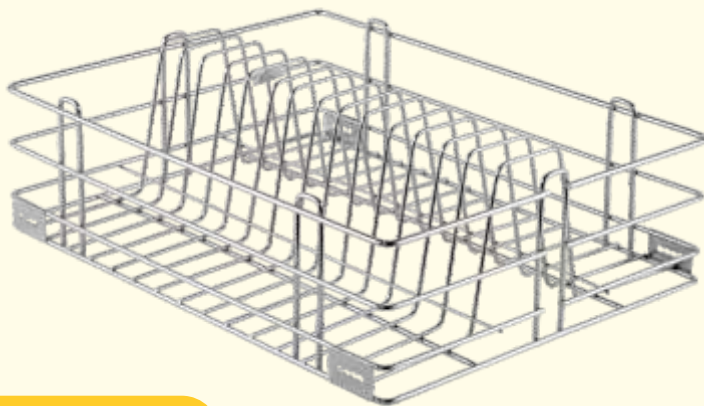
Royal Series
(New Aluminium Range)

Width	Depth	Height
15	20	6 8
17	20	6 8
19	20	6 8
21	20	6 8

(Size in Inches)



Classic Series



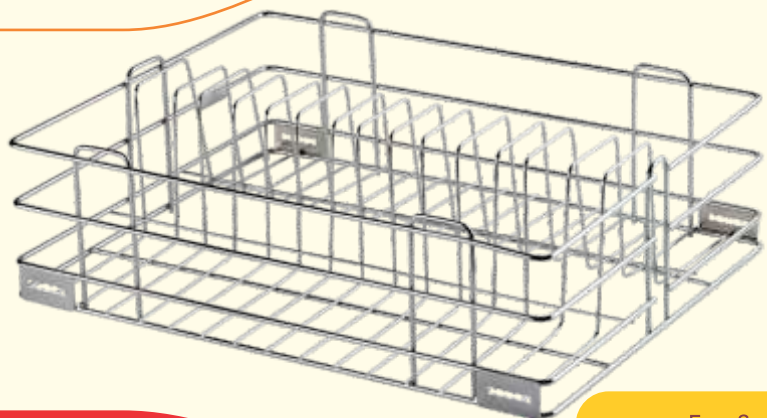
Width	Depth	Height
12	20	6 8
15	16 20 22 24	6 8
17	20 22 24	6 8
19	20 22 24	6 8
21	20 22 24	6 8

(Size in Inches)

Standard Series

Width	Depth	Height
12	20	6 8
15	16 20 22 24	6 8
17	20 22 24	6 8
19	20 22 24	6 8
21	20 22 24	6 8

(Size in Inches)



Eco Series

THALI BASKET

Your everyday thali needs a storage that is easy to put in and out. Plus it should be smooth to operate and this is just the perfect basket for that.



Royal Series
(New Aluminium Range)



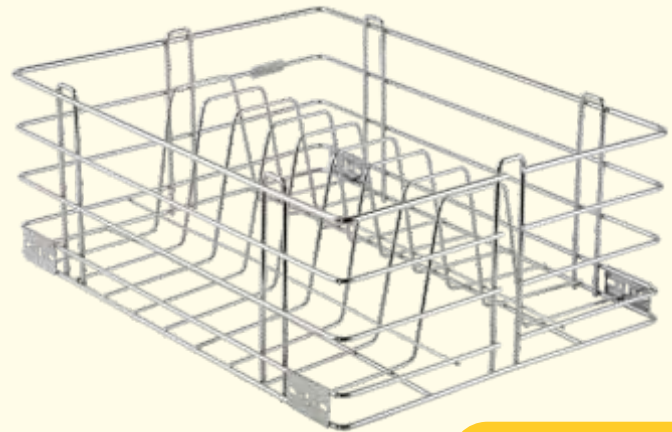
Classic Series

Width	Depth	Height
15	20	6 8
17	20	6 8
19	20	6 8
21	20	6 8

(Size in Inches)

Width	Depth	Height
12	20	6 8
15	16 20 22 24	6 8
17	20 22 24	6 8
19	20 22 24	6 8
21	20 22 24	6 8

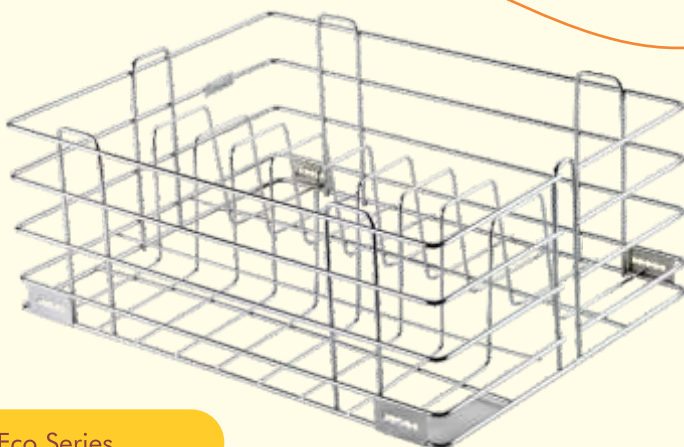
(Size in Inches)



Standard Series

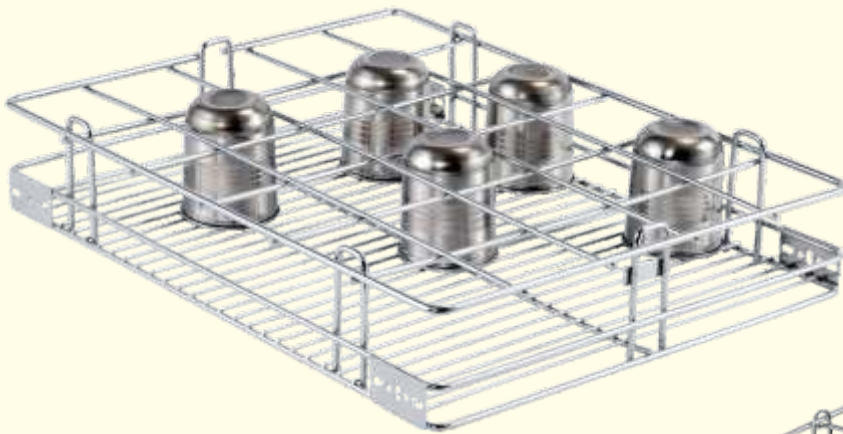
Width	Depth	Height
12	20	6 8
15	16 20 22 24	6 8
17	20 22 24	6 8
19	20 22 24	6 8
21	20 22 24	6 8

(Size in Inches)



Eco Series

GLASS BASKET



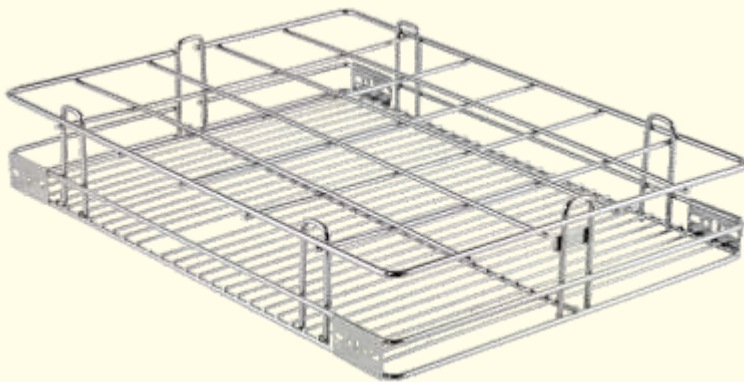
All the glasses you have in the kitchen can fit in conveniently and in large numbers. It's not just a glass basket but a class basket.



Classic Series

Width	Depth	Height
15	20	4
17	20	4
19	20	4
21	20	4

(Size in Inches)



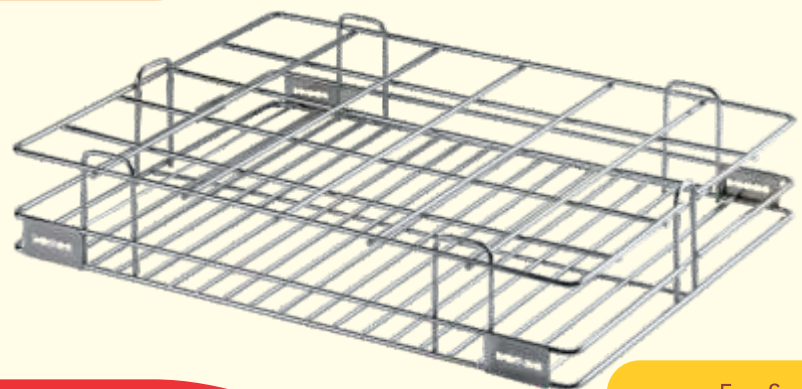
Width	Depth	Height
12	20	4
15	16 20 22 24	4
17	20 22 24	4
19	20 22 24	4
21	20 22 24	4

(Size in Inches)

Standard Series

Width	Depth	Height
12	20	4
15	16 20 22 24	4
17	20 22 24	4
19	20 22 24	4
21	20 22 24	4

(Size in Inches)



Eco Series

BOTTLE BASKET

These baskets are custom made to accommodate water and other bottles of standard sizes conveniently, without any rattles.



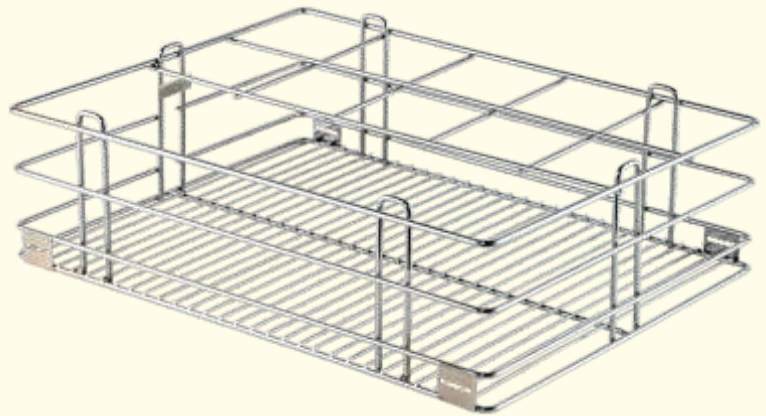
Classic Series

Width	Depth	Height
15	20	6
17	20	6
19	20	6
21	20	6

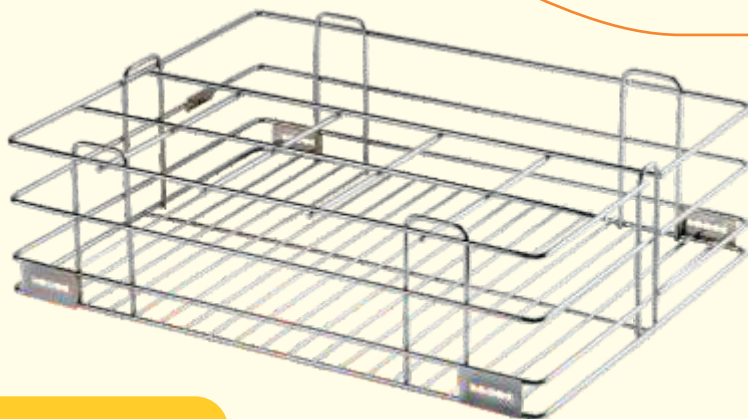
(Size in Inches)

Width	Depth	Height
12	20	6
15	16 20 22 24	6
17	20 22 24	6
19	20 22 24	6
21	20 22 24	6

(Size in Inches)



Standard Series



Width	Depth	Height
12	20	6
15	16 20 22 24	6
17	20 22 24	6
19	20 22 24	6
21	20 22 24	6

(Size in Inches)

Eco Series

LARGE UTENSIL BASKET

The large utensils take a large space in storage, which is why this basket is aesthetically designed to fit in all the large utensils of all shapes and sizes with ease. These baskets can be designed in a Tall Unit System for optimum space utilization.



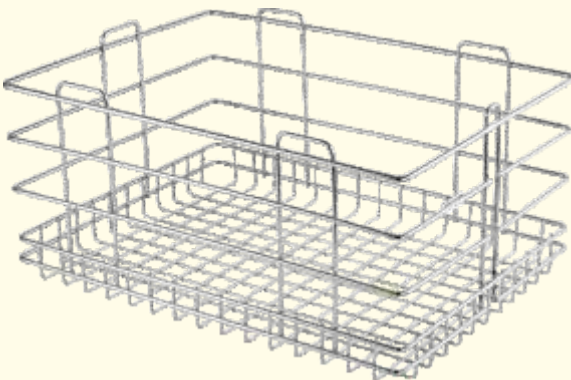
Width	Depth	Height
24	20	4 6 8
28	20	4 6 8
32	20	4 6 8

(Size in Inches)

Large Utensil Basket WDH

GRAIN TROLLEY

These trolleys are relatively sturdier, apt for storing rice, wheat, pulses and other grains with the additional oil cans too. Available in both angle and wired patterns.



Width	Depth	Height
15	20	10
17	20	10
19	20	10
21	20	10

(Size in Inches)

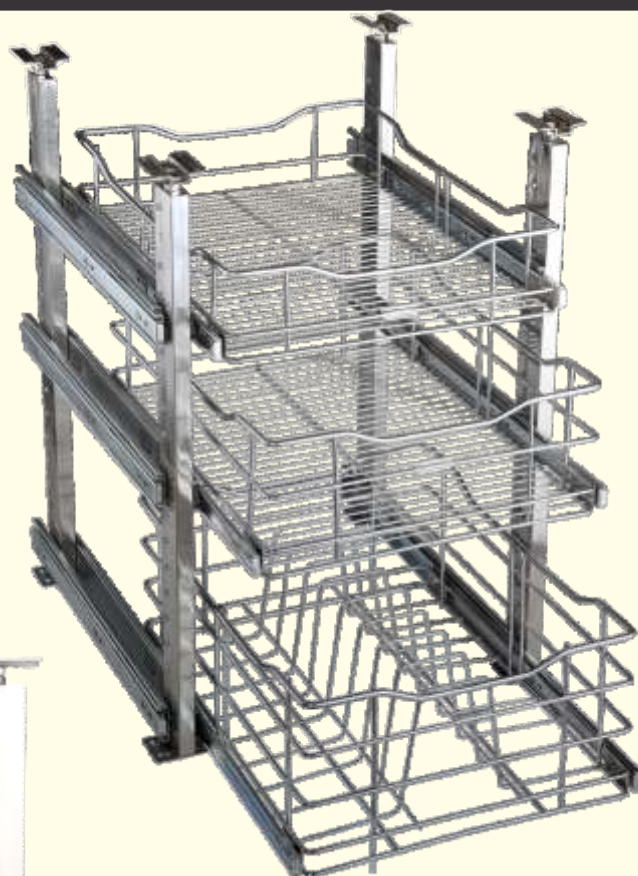
Grain Trolley Basket & Mechanism WDH

KITCHEN POLE SYSTEM

The strength of our kitchen pole system lies in the fact that they are easy to install, made from non-toxic userfriendly stainless steel partition system for longlife, quality performance and economical too. Its assembly system can be customized and adjusted to the height of 75mm. Plus, the kitchen pole is brass tapped to perfection.

Features :

- Stainless steel material for longer life.
- Easy to fit and assemble.
- Customised in different size cabinets.
- Minimum use of wood.
- Brass tapped bushes to ensure firm fitment.

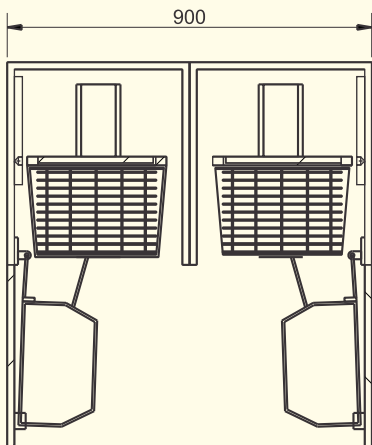
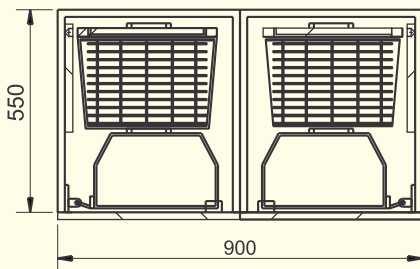


Total Height	27" + 3" adjustable
Width	20 mm
Depth	50 mm
Hole Distance	32 mm

Kitchen Pole System

LARGE PANTRY PULLOUT

The large pantry system poses a universal design, in understanding with the different aspects of storage and accessibility. The ergonomic design allows easy access and avoids any wastage of space for storage.



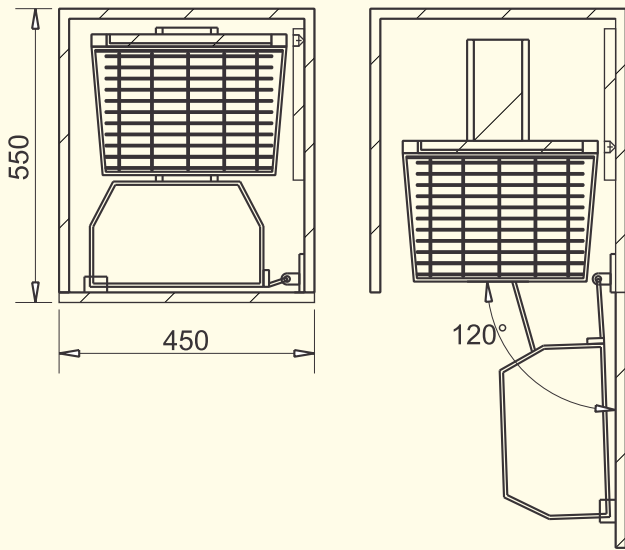
NOTE : ALL THIS SIZE ARE CAR CASE SIZE IN MM

Width	Depth	Height
33	21	4ft. & 6ft.

(Basket Size in Inches)

PANTRY & MINI PANTRY PULLOUT

Its minimalist and utilitarian approach to storage provides storage solutions as per the space available. Its robust structure with high duty connectors, adjustable basket heights and runner frames are best suited to the flexible needs of the urban kitchens.



NOTE : ALL THIS SIZE ARE CAR CASE SIZE IN MM



Mini Pantry Pullout

Width	Depth	Height
17	21	18

(Basket Size in Inches)



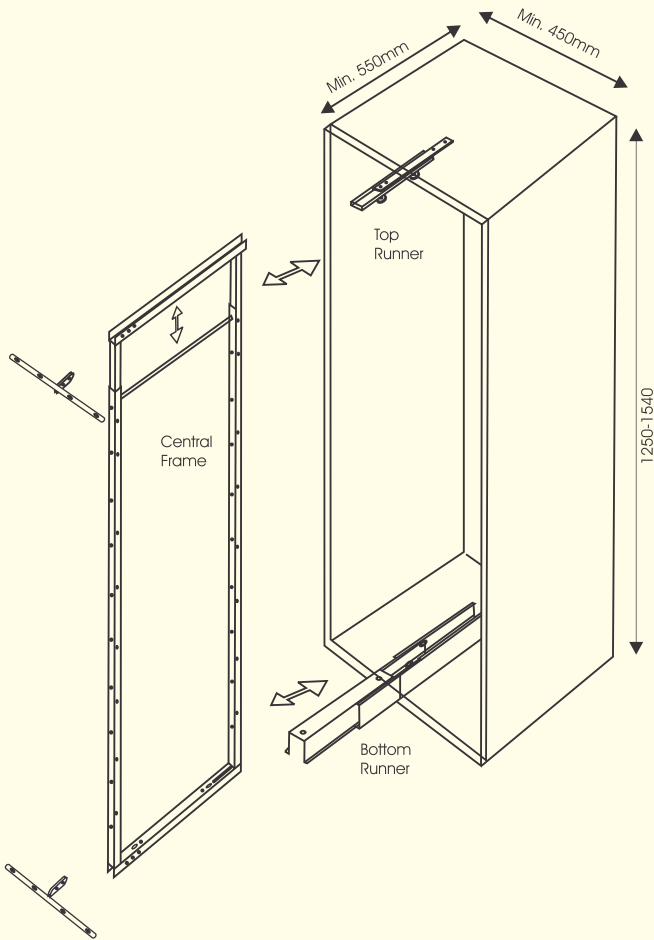
Pantry Pullout

Width	Depth	Height
16	21	4ft. & 6ft.

(Basket Size in Inches)

TALL UNIT

Spatech tall units make a tall claim and achieve them too with its sleek design, with optimal uses of the horizontal and vertical space. One can easily reach the topmost and lowermost section, leading to hassle-free usage.



NOTE : ALL THIS SIZE ARE CAR CASE SIZE IN MM

Tall Unit

Width	Depth	Height
16	21	4ft. & 6ft.

(Basket Size in Inches)



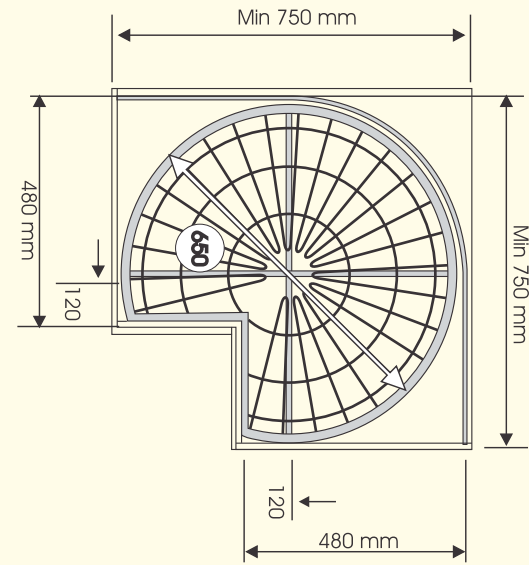
CAROUSEL UNIT (270°)



Dia

- 18
- 20
- 22
- 24
- 26
- 28
- 30

(Size in Inches)



DEE TRAY

In the typical 'L' shaped kitchens, with uneven platform space Spatech Dee Trays come as a boon. One can have the option of having a 2 tier rack for additional storage.



Dia

- 24
- 26
- 28
- 30

(Size in Inches)

CAROUSEL FULL ROUND

With the Spatech Carousel full round racks, you come full circle as far as optimum storage is concerned. Their aesthetic design and functionality adds a new dimension to your kitchen.



Dia

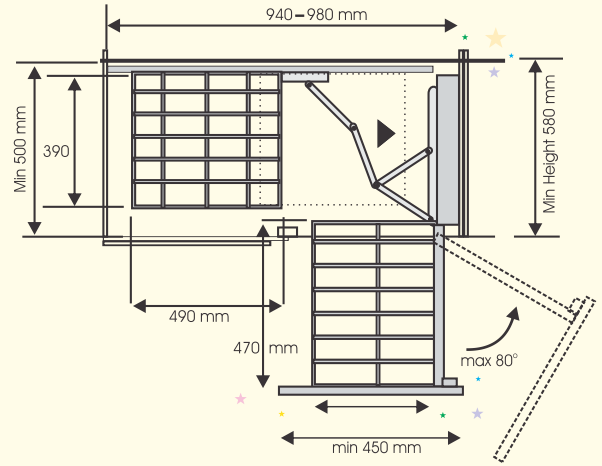
- 12
- 14
- 16
- 18
- 20

(Size in Inches)

MAGIC CORNER (Universal)



The Magic corner is miraculously versatile, easy to use, utilizes the space optimally and opens new doors in kitchen storage.



NOTE : ALL THIS SIZE ARE CAR CASE SIZE IN MM

Optimizing dead end corners.
(Functionality to draw out side end drawer-accessible.)

CONTAINS :

1. Side Frame (w/o Slides)
2. Side Frame (With Slides)
3. Back Frame
4. Basket 450 x 280 x 100, Small - 2 Pcs.
5. Basket 485 x 380 x 100, Big - 2 Pcs.
6. Connecting Strips
7. Slide - Heavy duty, full extension, ball bearing slide
Load Capacity 118 Kgs.

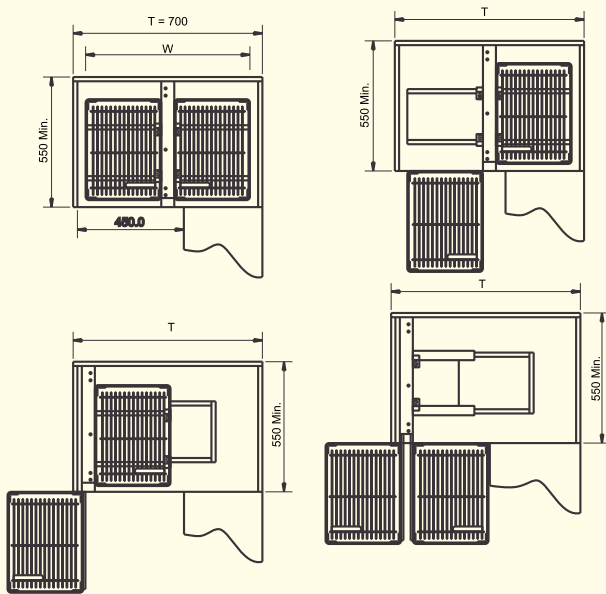
Magic Corner (Universal)

Width	Depth	Height
36	21	27

(Basket Size in Inches)

MAGIC CORNER (Double Pullout)

The Magic Corner with double pullout provides an extension to the general storage option, giving you maximum storage space in a single unit.



NOTE : ALL THIS SIZE ARE CAR CASE SIZE IN MM



Magic Corner Double Pull-out

Width	Depth	Height
26	21	24

(Basket Size in Inches)

S - CAROUSEL

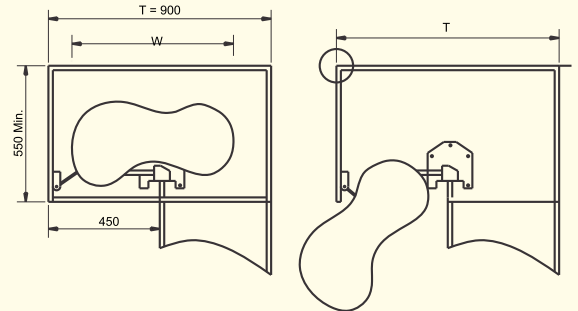
It is a high duty storage utility storage that provides extended access and flexible storage solution.



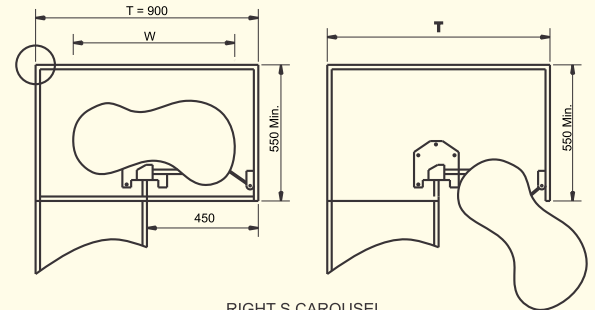
S - Carousel

Width	Depth	Height
33	21	24-28

(Basket Size in Inches)



LEFT S CAROUSEL

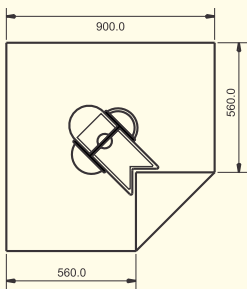


RIGHT S CAROUSEL

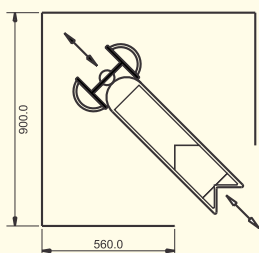
NOTE : ALL THIS SIZE ARE CAR CASE SIZE IN MM

MAGIC CAROUSEL (Revolving)

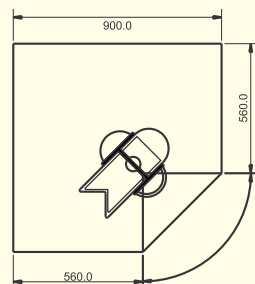
It is a customized basket arrangement storage solution for optimum utilization of the corners. It's high in utility and functional to the core.



CLOSED VIEW - 1



PULLOUT VIEW - 2



ROTATING VIEW - 3

NOTE : ALL THIS SIZE ARE CAR CASE SIZE IN MM



Magic Carousel

Width	Depth	Height
34x34	21	24-28

(Basket Size in Inches)

SINGLE PULLOUT (Adjustable Basket)

It allows the flexibility by use of multiple fixed and adjustable basket modules to suit your requirement.



Multi Purpose Single Pullout (With Channel)

Width	Depth	Height
4	16 20 22 24	24
6	16 20 22 24	24
8	16 20 22 24	24

(Size in Inches)



Multi Purpose Detergent Pullout (With Channel)

Width	Depth	Height
4	16 20 22 24	21
6	16 20 22 24	21
8	16 20 22 24	21

(Size in Inches)



SINGLE PULLOUT (Fix Basket)

Width	Depth	Height
4	20	17
6	20	17
8	20	17

(Size in Inches)



Width	Depth	Height
4	20	21
6	20	21
8	20	21

(Size in Inches)

UTILITY PULLOUT

These Utility Pullouts provide the utility of storing plates, saucers, bottles and other kitchen utilities in a single storage unit.

Width	Depth	Height
12	20	17 21
15	20	17 21

(Size in Inches)



MECHANISM PULLOUT

This is a 3 tier storage system with a unique mechanism that provides proportionate space management and for seasonal storage, ideal for bottles, jars and jugs.



Width	Depth	Height
4	20	24
6	20	24
8	20	24

(Size in Inches)



Width	Depth	Height
4	20	21
6	20	21
8	20	21

(Size in Inches)

BOTTLE PULLOUT

(New Aluminium Range)

All the bottles of your kitchen now have a perfect, safe and secure place to rest. It is an easy accessible rack that allows a 2-tier storage space for bottles of varying heights and a top shelf for smaller bottles. Available in 4 to 8 inch sizes.

Width	Depth	Height
4	20	17
6	20	17
8	20	17

(Size in Inches)



Width	Depth	Height
4	20	21
6	20	21
8	20	21

(Size in Inches)



HANGING & MULTIPURPOSE ACCESSORIES

PIPE HANGING ACCESSORIES

Choose from a wide array of hanging styles for maximum storage in minimum space. It is the perfect way to organize your utensils and cutlery in an aesthetic fashion.



Hanging Cup & Saucer

Width	Height
12	12

(Size in Inches)



Hanging Ladle Cradle

Width	Height
20	17

(Size in Inches)



Hanging Utility Rack

Width	Height
16	10

(Size in Inches)



Hanging Glass Holder

Width	Height
13	18

(Size in Inches)



Hanging Knife & Fork Holder

Width	Height
6	10

(Size in Inches)



Hanging Corner Two Shelf

Width	Height
11	14

(Size in Inches)



Hanging Multipurpose Two Shelf

Width	Height
14	15

(Size in Inches)



Hanging Paper & Foil Holder

Width	Height
12	14

(Size in Inches)

UTILITY RACK

Be it on the walls or on the platform, these racks are the perfect utility partner in your kitchen, other than the usual kitchen storage. Their sleek design, use of non-toxic material and ease of maintenance makes them a must in every kitchen.



Glass Tray Plate Tray (GTPT)

Width	Height
16	10
18	10
20	10
22	10
24	10
28	10
30	10
34	10

(Size in Inches)



Wall Mounted Rack

Width	Height
18	18

(Size in Inches)



Dish Stand

Width	Height
18	12

(Size in Inches)



Plate Holder

Width	Height
8	8

(Size in Inches)



Small Organizer

Width	Height
-	-

(Size in Inches)



Sink Tray

Width	Height
20	5

(Size in Inches)

MULTIPURPOSE ACCESSORIES



Ladle Cradle

Width	Height
20	15

(Size in Inches)



Cup & Saucer Stand

Width	Height
12	15

(Size in Inches)



Kitchen Keeper

Width	Height
14	16

(Size in Inches)



Corner Rack 1 Shelf

Width	Height
11	3

(Size in Inches)



Corner Rack 2 Shelf

Width	Height
11	15

(Size in Inches)



Corner Rack 3 Shelf

Width	Height
11	22

(Size in Inches)



Multi Rack 1 Shelf

Width	Height
14	6

(Size in Inches)



Multi Rack 2 Shelf

Width	Height
14	12

(Size in Inches)



Multi Rack 3 Shelf

Width	Height
14	22

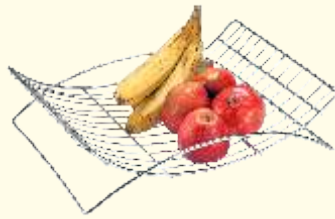
(Size in Inches)



Fruit Rack

Width	Height
10	16

(Size in Inches)



Fruit Basket

Width	Height
14	11

(Size in Inches)



Bottle Rack

Width	Height
8	12

(Size in Inches)



Hot Stand

Width	Height
12	8

(Size in Inches)



Spice Rack

Width	Height
12	6

(Size in Inches)



Right Rack

Width	Height
14	4

(Size in Inches)



Wine Rack

Width	Height
21	9

(Size in Inches)



Multipurpose Office Rack

Width	Height
11	6

(Size in Inches)



Mobile Stand

Width	Height
-	-

(Size in Inches)



Magazine Shelf

Width	Height
4	8

(Size in Inches)



Wine Glass Holder

Width	Height
13	2.5

(Size in Inches)



Microwave Stand

Width	Height
21	12

(Size in Inches)

MULTIPURPOSE ACCESSORIES



Cylinder Trolley

Width	Height
-	-

(Size in Inches)



R.O. Stand

Width	Height
15	14

(Size in Inches)



Laundry Basket

Width	Height
15	18

(Size in Inches)



Detergent Pull Out

Width	Height
6	17

(Size in Inches)



Under Sink Basket

Width	Height
32	20

(Size in Inches)



Paper Napkin Holder

Width	Height
7	7

(Size in Inches)



S.S. Dust Bin

Width	Height
-	-

(Size in Inches)



Bin Holder

Width	Height
11	6

(Size in Inches)



Use me

Width	Height
12	13

(Size in Inches)



Detergent Holder

Width	Height
10	17

(Size in Inches)

BATHROOM ACCESSORIES

Spatech bathroom accessories lend a wide range of utilities for your bathroom. Sleekly designed with non-toxic materials, these bathroom accessories are a functional delight and add to the bathroom décor as well.

AVAILABLE OPTIONS

- Towel Shelf
- Towel & Napkin Holder
- Towel Rod
- Bathroom Utility Rack
- Bathroom Corner Rack
- Multipurpose Shelf
- Soap Dish
- Toilet Paper Holder



Towel & Napkin Holder

Width	Height
6	3

(Size in Inches)



Towel Shelf

Width	Height
18	10

(Size in Inches)



Bathroom Utility Rack

Width	Height
10	18

(Size in Inches)



Towel Rod

Width	Height
23	4

(Size in Inches)



Bathroom Corner Rack 1 Shelf

Width	Height
11	3

(Size in Inches)



Bathroom Corner Rack 2 Shelf

Width	Height
11	15

(Size in Inches)



Multipurpose Shelf

Width	Height
14	6

(Size in Inches)



Toilet Paper Holder

Width	Height
-	-

(Size in Inches)



Soap Dish

Width	Height
-	-

(Size in Inches)

WARDROBE ACCESSORIES

It offers you the flexibility to design your wardrobe the way you want. Every individual is different and so are his wardrobe needs. With all the varied options of rods, racks and baskets, one can systematically plan and arrange their wardrobe the way they want.



Trouser & Saree Slider

Width	Depth
32	20

(Size in Inches)

Wardrobe Basket

Width	Depth
32	20

(Size in Inches)



Multipurpose Wardrobe Basket

Width	Depth
32	20

(Size in Inches)



Hanger Holder

Width	Height
20	6

(Size in Inches)



Saree Slider

Width	Depth
14	20

(Size in Inches)



Perfume Rack

Width	Height
12	4

(Size in Inches)



Hook Rack

Width	Height
-	-

(Size in Inches)



Multi Wardrobe Rack

Width	Height
12	14

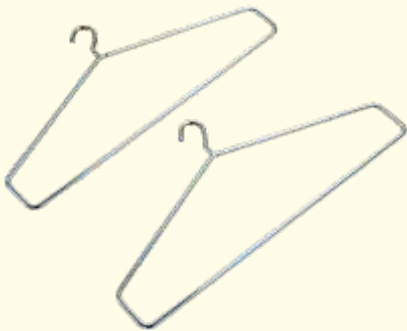
(Size in Inches)



Multipurpose Shelf

Width	Height
12	18

(Size in Inches)



Cloth Hanger

Width	Height
-	-

(Size in Inches)



Bangle Holder

Width	Height
6	18

(Size in Inches)



Shoe P/O Rack

Width	Height
-	-

(Size in Inches)



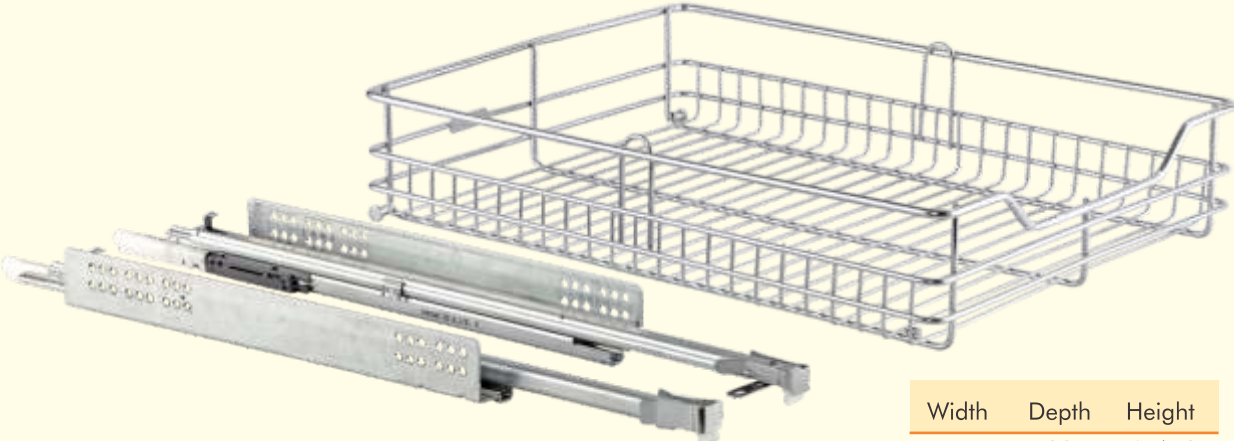
Shoe Rack

Width	Height
31	16

(Size in Inches)

BASKET WITH QUADRO FITTING

The baskets come with unique Quadro channel fittings for your customized and versatile storage needs. These basket with Quadro fittings incorporates the Quadro channel design for easy movement.



Width	Depth	Height
15	20	4 6 8
17	20	4 6 8
19	20	4 6 8
21	20	4 6 8

(Size in Inches)

ACCESSORIES

All the accessories are of high quality standards for smooth uninterrupted performance for years and years.



MULTIPURPOSE POLE SYSTEM

This multipurpose Pole System is sure to impress all, be it the style or its sheer utility. Although it comes across more as a style substance, it provides stylish storage for your wine bottles, fruit basket and wine glasses. Easy to use and good to show.



Information

The technical presentations and dimensions in illustrations and drawings are non binding. We reserve the right to make changes to specifications at any time. We do not accept any responsibility for any errors which may occur in the production of this catalogue.

The product in this list are the ones that are currently in the SpaTech product range. Since our product range is updated frequently, please feel free to contact us if you cannot find any particular information.

The printed colours indicating the surface finishes are not 100% true, but do provide a useful guide.

Pictures may show designs which are different to the scope of delivery.

In keeping with our matter of resurvey item design, up gradation and material may change without prior notice. No part of this catalogue whole or in part may be reproduce or utilised in any form or by any means without written consent from SpaTech. *Conditions apply Product image shown in the catalogue is just an impression, original product may be different from it. Error and omissions expected. Subject to Indore jurisdiction only.

spatechTM

An ISO 9001:2008 Company

- ◆ 100% Stainless Steel
- ◆ Non-Magnetic
- ◆ Rust Free
- ◆ Lifetime Warranty*
- ◆ With Imported Fueba Coating

*Conditions Apply



An ISO 9001:2008 Company

Email : info@spatech.in

Website : www.spatech.in

Designed for Comfort